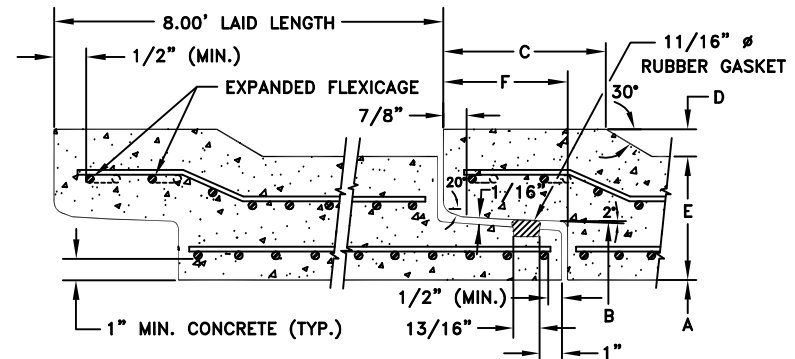
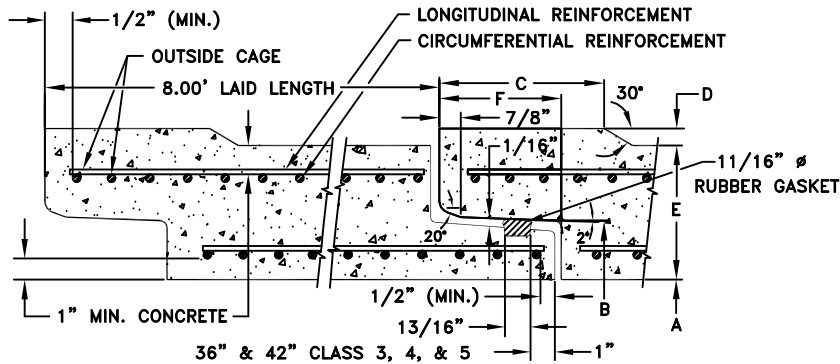


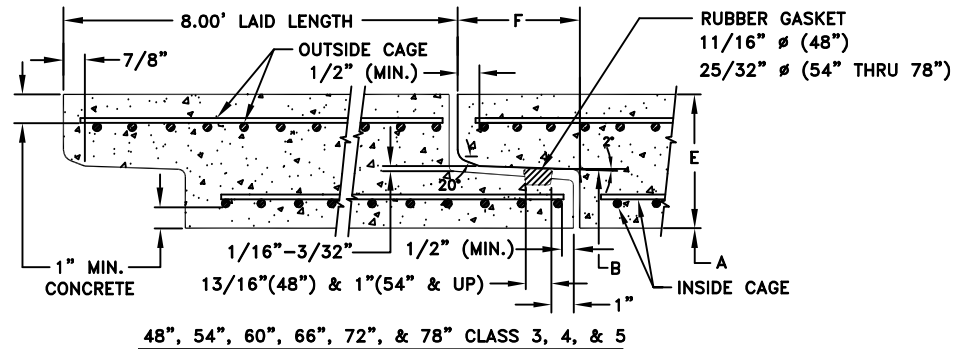
12", 15", 18", 21 & 24" CLASS 3, 4, & 5 - 27" & 30" CLASS 3 & 27" CLASS 4



27" CLASS 5 - 30" CLASS 4 & 5



36" & 42" CLASS 3, 4, & 5



48", 54", 60", 66", 72", & 78" CLASS 3, 4, & 5

A	INSIDE DIAMETER	IN.	12	15	18	21	24	27	30	36	42	48	54	60	66	72	78			
B	JOINT DIAMETER	IN.	15.26	18.71	21.71	24.71	27.71	30.71	34.00	40.00	46.28	52.78	58.71	65.21	71.38	77.88	84.38			
C	BELL MOD. LENGTH	IN.	5	5	5	6	6.50	6.50	7	7.50	7.50									
D	BELL MOD. RISE	IN.	2	2	2	1.75	1.50	1.25	1.25	0.75	0.50									
E	WALL "t"	IN.	2	2.25	2.50	2.75	3	3.25	3.50	4	4.50	5	5.50	6	6.50	7	7.50			
F	JOINT DEPTH	IN.	3.50	3.50	3.50	3.50	3.50	3.50	3.50	3.50	4	4	5	5	5	5	5			
	WEIGHT PER FOOT	LBS.	104	146	184	230	282	350	406	552	714	896	1110	1342	1604	1882	2194			
A.S.T.M. C-76 MINIMUM STEEL REINFOR.	CLASS III	INSIDE	IN. ²	0.07	0.07	0.07	0.07	0.07	0.16	0.18	0.17	0.21	0.24	0.29	0.34	0.41	0.49	0.57		
		OUTSIDE										0.10	0.13	0.14	0.17	0.20	0.25	0.29	0.34	
	CLASS IV	INSIDE		0.07	0.10	0.14	0.20	0.27	0.31	0.24	0.30	0.35	0.42	0.50	0.59	0.69	0.79			
		OUTSIDE									0.14	0.18	0.21	0.25	0.30	0.35	0.41	0.47		
	CLASS V	INSIDE		0.10	0.14	0.19	0.24	0.30	0.38	0.41	0.50	0.60	0.73	0.82	0.98					
		OUTSIDE		L.F.							0.23	0.25	0.30	0.36	0.44	0.49	0.59			

NOTES:

- 1) STANDARD SPECIFICATION: ASTM C-76.
- 2) "O"-RING JOINT CONFORMS TO ASTM C-443.
- 3) SPECIAL DESIGNS FURNISHED UPON REQUEST.

VIANINI PIPE, INC.

TITLE: 12"-78" V-24
"O"-RING JOINT REINFORCED CONCRETE PIPE