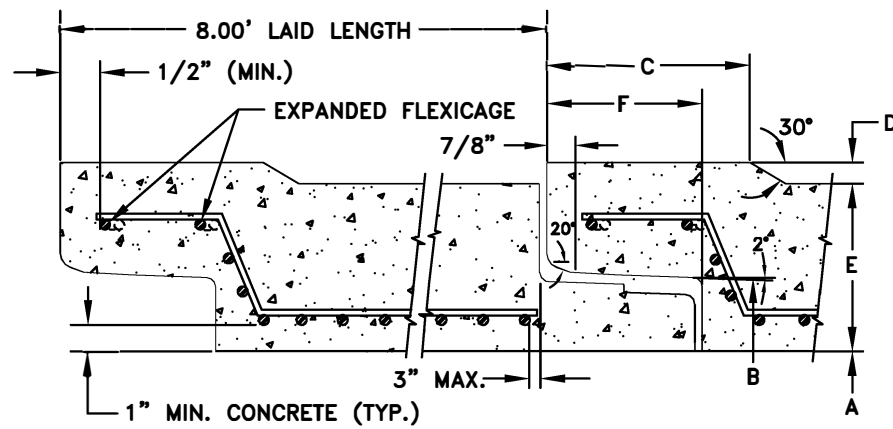
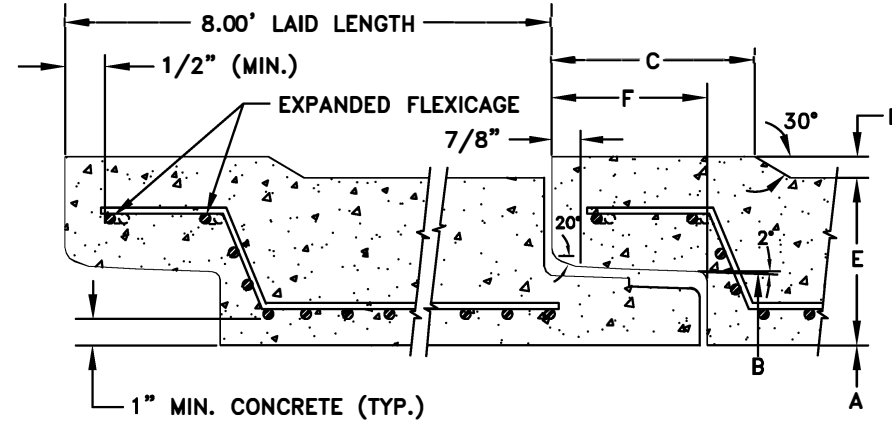


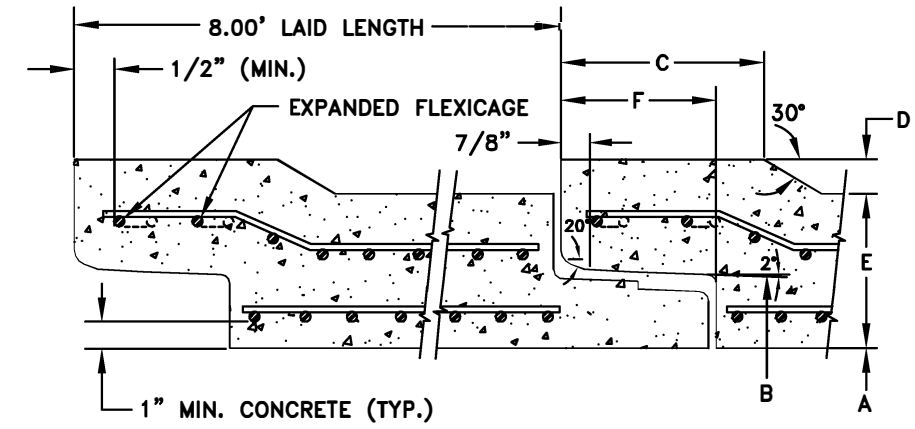
NO.	DATE	REVISION DESCRIPTION	DR.	CK.



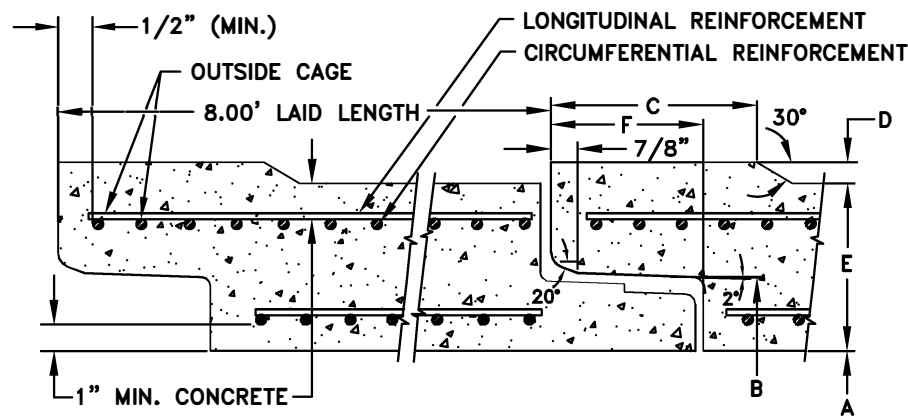
12", 15", 18" & 21" CLASS 3, 4, & 5



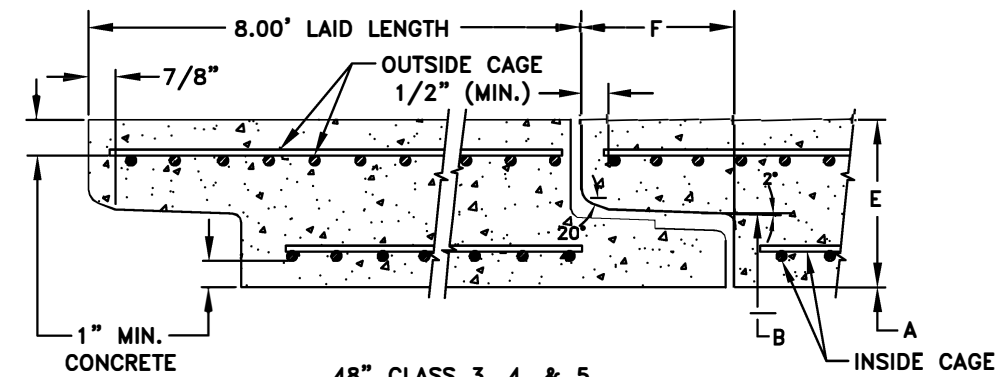
24" CLASS 3, 4, & 5; 27" CLASS 3 & 4; 30" CLASS 3



27" CLASS 5 - 30" CLASS 4 & 5



36" & 42" CLASS 3, 4, & 5



48" CLASS 3, 4, & 5

A	INSIDE DIAMETER	IN.	12	15	18	21	24	27	30	36	42	48	
B	JOINT DIAMETER	IN.	15.26	18.71	21.71	24.71	27.71	30.71	34.00	40.00	46.28	52.78	
C	BELL MOD. LENGTH	IN.	5	5	5	6	6.50	6.50	7	7.50	7.50		
D	BELL MOD. RISE	IN.	2	2	2	1.75	1.50	1.25	1.25	0.75	0.50		
E	WALL 't'	IN.	2	2.25	2.50	2.75	3	3.25	3.50	4	4.50	5	
F	JOINT DEPTH	IN.	3.50	3.50	3.50	3.50	3.50	3.50	3.50	3.50	4	4	
	WEIGHT PER FOOT	LBS.	104	146	184	230	282	350	406	552	714	896	
A.S.T.M. C-76 MINIMUM STEEL REINFOR.	CLASS III	INSIDE	IN. ²										
		OUTSIDE	0.07	0.07	0.08	0.07	0.07	0.16	0.18	0.17	0.21	0.24	
	CLASS IV	INSIDE	L.F.										
		OUTSIDE	0.07	0.10	0.14	0.20	0.27	0.31	0.24	0.30	0.35	0.42	
	CLASS V	INSIDE	L.F.										
		OUTSIDE	0.10	0.14	0.19	0.24	0.30	0.38	0.41	0.50	0.60	0.73	
									0.23	0.25	0.30	0.36	0.44

NOTES:

- 1) ALL PIPE ARE ASTM C-76, WALL 'B'.
- 2) METHOD OF MANUFACTURE: PACKERHEAD HYDROTILE MACHINE.

VIANINI PIPE, INC.

TITLE: 12"-48" REINFORCED CONCRETE PIPE
SINGLE OFFSET SLIP JOINT

DATE: APR. 26, 2023 DRAWN BY: RML APPROVED BY: RL DRAWING NO: SL-JT-1