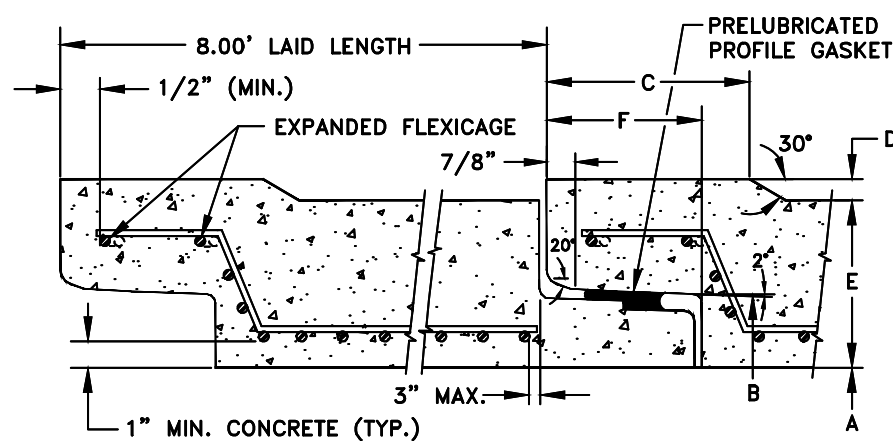
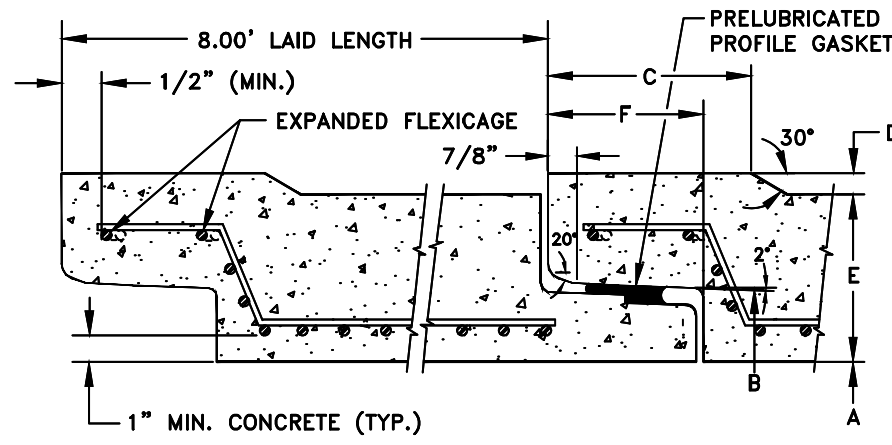


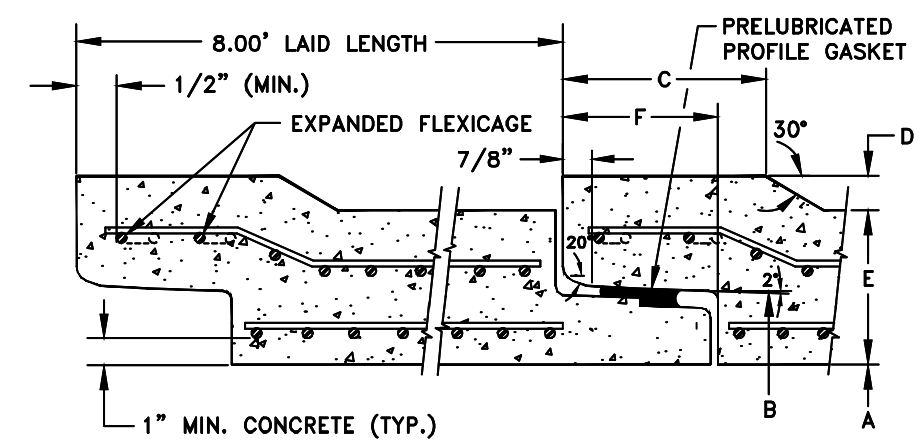
NO.	DATE	REVISION DESCRIPTION	DR.	CK.



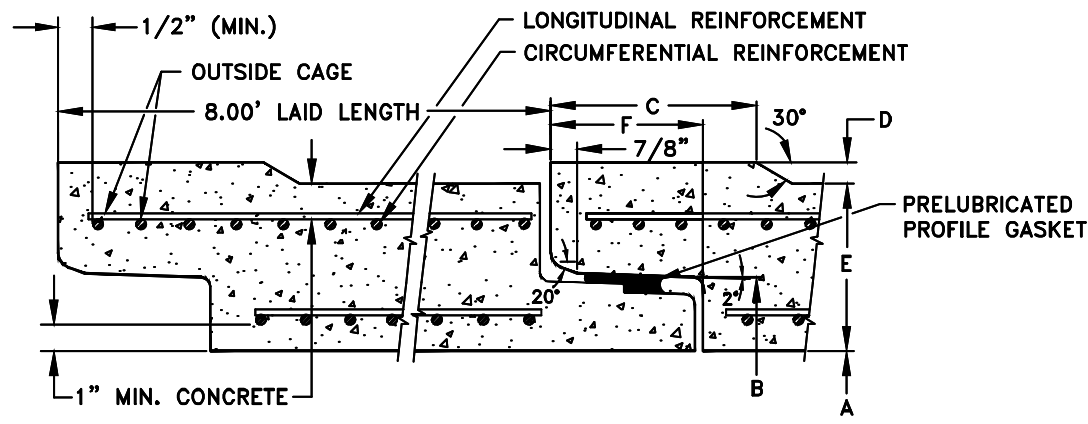
12", 15", 18" & 21" CLASS 3, 4, & 5



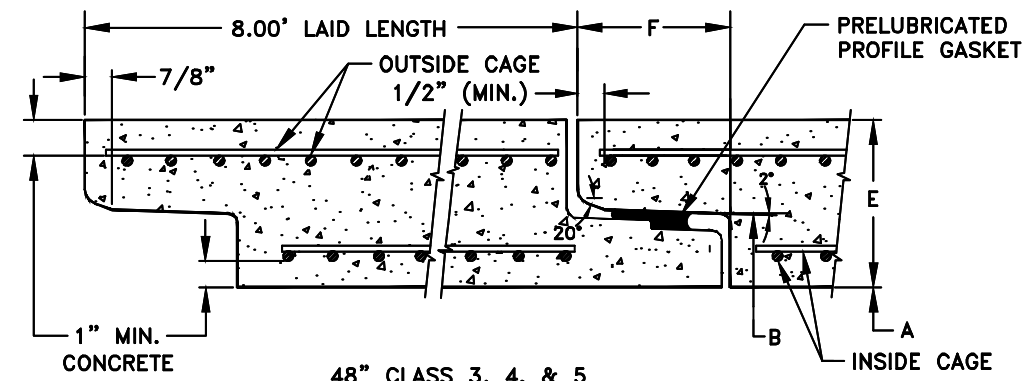
24" CLASS 3, 4, & 5; 27" CLASS 3 & 4; 30" CLASS 3



27" CLASS 5 - 30" CLASS 4 & 5



36" & 42" CLASS 3, 4, & 5



48" CLASS 3, 4, & 5

A	INSIDE DIAMETER	IN.	12	15	18	21	24	27	30	36	42	48							
B	JOINT DIAMETER	IN.	15.26	18.71	21.71	24.71	27.71	30.71	34.00	40.00	46.28	52.78							
C	BELL MOD. LENGTH	IN.	5	5	5	6	6.50	6.50	7	7.50	7.50								
D	BELL MOD. RISE	IN.	2	2	2	1.75	1.50	1.25	1.25	0.75	0.50								
E	WALL 't'	IN.	2	2.25	2.50	2.75	3	3.25	3.50	4	4.50	5							
F	JOINT DEPTH	IN.	3.50	3.50	3.50	3.50	3.50	3.50	3.50	3.50	4	4							
	WEIGHT PER FOOT	LBS.	104	146	184	230	282	350	406	552	714	896							
A.S.T.M. C-76 MINIMUM STEEL REINFOR.	CLASS III	INSIDE	/																
		OUTSIDE										0.10	0.13	0.14					
	CLASS IV	INSIDE	/																
		OUTSIDE										0.14	0.18	0.21	0.25				
	CLASS V	INSIDE	/																
		OUTSIDE										0.10	0.14	0.19	0.24	0.30	0.38	0.41	0.50
		L.F.									0.23	0.25	0.30	0.36	0.44				

NOTES:

- 1) PRELUBRICATED GASKETED JOINT CONFORMS TO ASTM C-443.
- 2) ALL PIPE ARE ASTM C-76, WALL 'B'.
- 3) METHOD OF MANUFACTURE: PACKERHEAD HYDROTILE MACHINE.

VIANINI PIPE, INC.

TITLE: 12"-48" REINFORCED CONCRETE PIPE
SINGLE OFFSET GASKETED JOINT

DATE: DEC. 30, 2019	DRAWN BY: RML	APPROVED BY: RL	DRAWING NO: PLG-JT-1
------------------------	------------------	--------------------	-------------------------