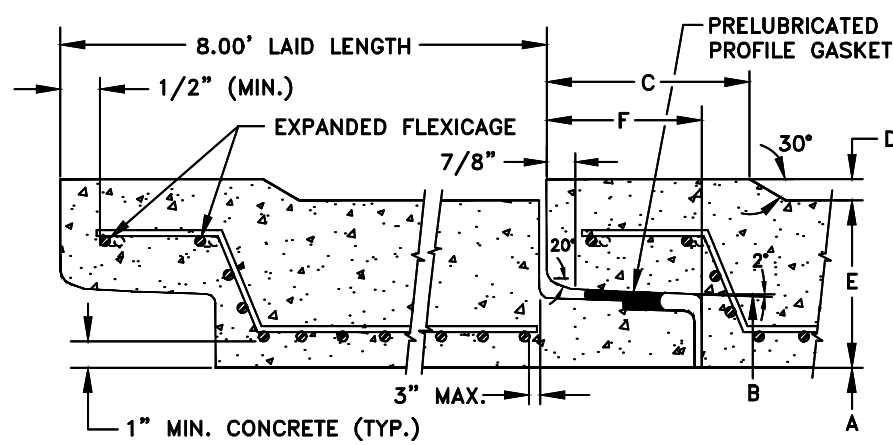
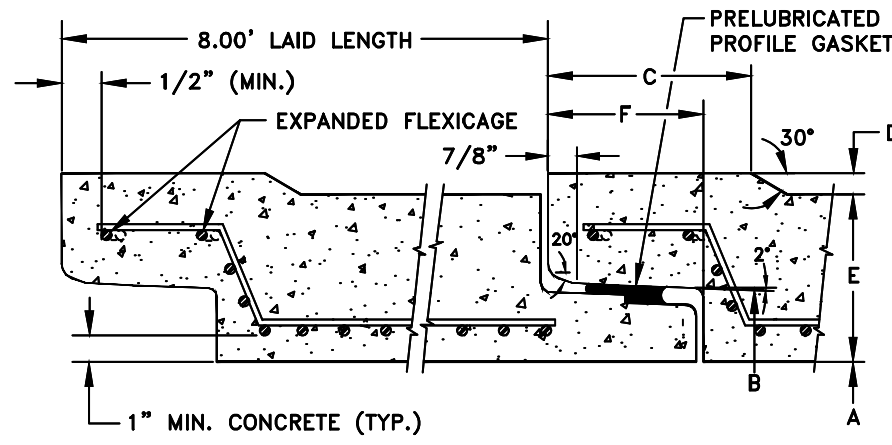


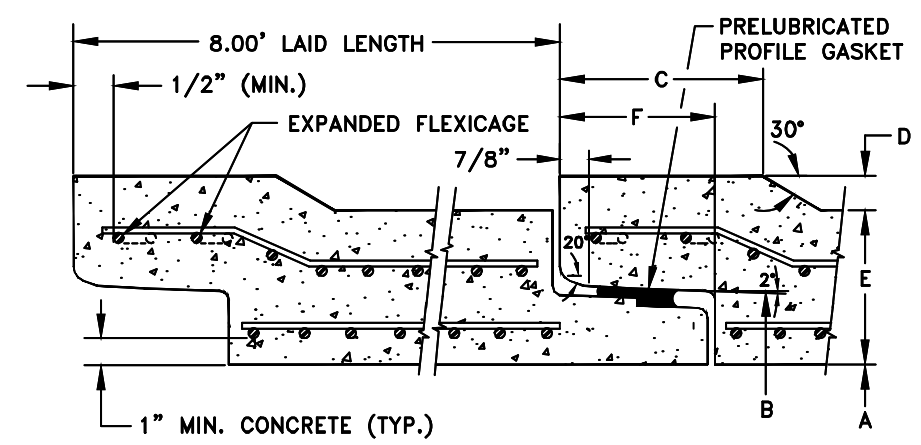
| NO. | DATE | REVISION DESCRIPTION | DR. | CK. |
|-----|------|----------------------|-----|-----|
| | | | | |



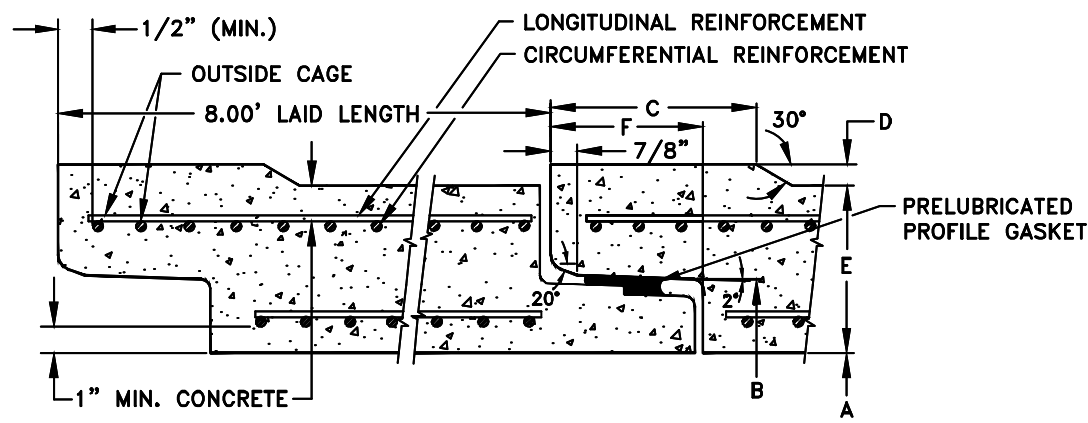
12", 15", 18" & 21" CLASS 3, 4, & 5



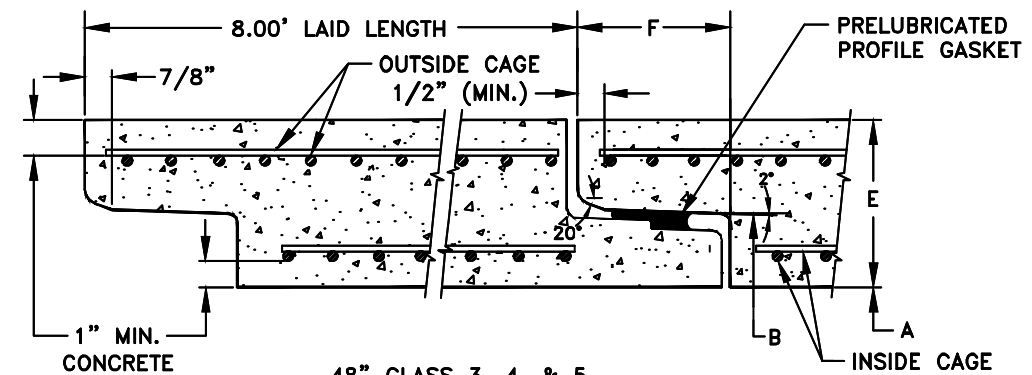
24" CLASS 3, 4, & 5; 27" CLASS 3 & 4; 30" CLASS 3



27" CLASS 5 - 30" CLASS 4 & 5



36" & 42" CLASS 3, 4, & 5



48" CLASS 3, 4, & 5

| A | INSIDE DIAMETER | IN. | 12 | 15 | 18 | 21 | 24 | 27 | 30 | 36 | 42 | 48 |
|--|------------------|---------|------------------|-------|-------|-------|-------|-------|-------|-------|-------|-------|
| B | JOINT DIAMETER | IN. | 15.26 | 18.71 | 21.71 | 24.71 | 27.71 | 30.71 | 34.00 | 40.00 | 46.28 | 52.78 |
| C | BELL MOD. LENGTH | IN. | 5 | 5 | 5 | 6 | 6.50 | 6.50 | 7 | 7.50 | 7.50 | |
| D | BELL MOD. RISE | IN. | 2 | 2 | 2 | 1.75 | 1.50 | 1.25 | 1.25 | 0.75 | 0.50 | |
| E | WALL 't' | IN. | 2 | 2.25 | 2.50 | 2.75 | 3 | 3.25 | 3.50 | 4 | 4.50 | 5 |
| F | JOINT DEPTH | IN. | 3.50 | 3.50 | 3.50 | 3.50 | 3.50 | 3.50 | 3.50 | 3.50 | 4 | 4 |
| | WEIGHT PER FOOT | LBS. | 104 | 146 | 184 | 230 | 282 | 350 | 406 | 552 | 714 | 896 |
| A.S.T.M. C-76 MINIMUM STEEL REINFOR. | CLASS III | INSIDE | IN. ² | | | | | | | | | |
| | | OUTSIDE | 0.07 | 0.07 | 0.07 | 0.07 | 0.07 | 0.16 | 0.18 | 0.17 | 0.21 | 0.24 |
| | CLASS IV | INSIDE | L.F. | | | | | | | | | |
| | | OUTSIDE | 0.07 | 0.10 | 0.14 | 0.20 | 0.27 | 0.31 | 0.24 | 0.30 | 0.35 | 0.42 |
| | CLASS V | INSIDE | L.F. | | | | | | | | | |
| | | OUTSIDE | 0.10 | 0.14 | 0.19 | 0.24 | 0.30 | 0.38 | 0.41 | 0.50 | 0.60 | 0.73 |
| | | | | | | | 0.23 | 0.25 | 0.30 | 0.36 | 0.44 | |

NOTES:

- 1) PRELUBRICATED GASKETED JOINT CONFORMS TO ASTM C-443.
- 2) ALL PIPE ARE ASTM C-76, WALL 'B'.
- 3) METHOD OF MANUFACTURE: PACKERHEAD HYDROTILE MACHINE.

VIANINI PIPE, INC.

TITLE: 12"-48" REINFORCED CONCRETE PIPE
SINGLE OFFSET GASKETED JOINT

| | | | |
|------------------------|------------------|--------------------|-------------------------|
| DATE: DEC. 30, 2019 | DRAWN BY: RML | APPROVED BY: RL | DRAWING NO: PLG-JT-1 |
|------------------------|------------------|--------------------|-------------------------|